



## - Cusco Power Brace Installation Manual -

Please Read Carefully followings and understand that safety first and proper use of this product.

This product is designed for use in Japan only.  
It must not be used in any other country.

 Warning	Safety First!! Improper use of this product may result danger, and death.
 Caution	DO NOT install on unintended vehicles.

### 【Read Before Begin Installation】

- △ Warning · Confirm that there is enough clearance available when use with NON OEM front pipe and muffler. Avoid use of CUSCO Power Brace if there is NOT enough clearance. Improper use may result noise, damages, and accidents.
- CUSCO products MUST be installed by trained and certified mechanics.
  - Place fender protection cover while installing CUSCO products.
  - Keep and Protect removed OEM parts during installations.
  - Caution NOT to damage electric wires, connectors, and brackets.
  - Always wear safety gears when installing CUSCO products as followed: safety gloves, clothes, hats, and eye protections in order to avoid injury.
  - USE AUTOMOTIVE Jacks, Lifts, and Jack Stands proper to vehicles weights.
- △Warning · Proceed on FLAT surface. USE Automotive Manufacture's recommended Jack Points.
- Allow 24 hours to cool down a vehicle before start installation of CUSCO Parts.
- △Warning · TURN OFF an engine and let it cool down in order to avoid accidents and injuries.
- Inspect installed CUSCO parts regularly for safety and comfort.
- △ Warning · CUSCO is NOT responsible for cosmetic blemishes NOR functional claims. CUSCO in NOT responsible for ANY damages or accidents, ALL CUSCO products are OFF ROAD USE ONLY.
- ※ Confirm minimum vehicle ride height(90mm)after installation.
- ※ Please Keep this installation manual for your record for future use.

For Further Inquire  
 CARROSSER Co. Ltd.  
 oversea@cusco.co.jp  
 (Asia, Oceania, Europe, Africa, and all other area)  
 CUSCO USA, INC.  
 Info@cuscosainc.com  
 (North & South America)

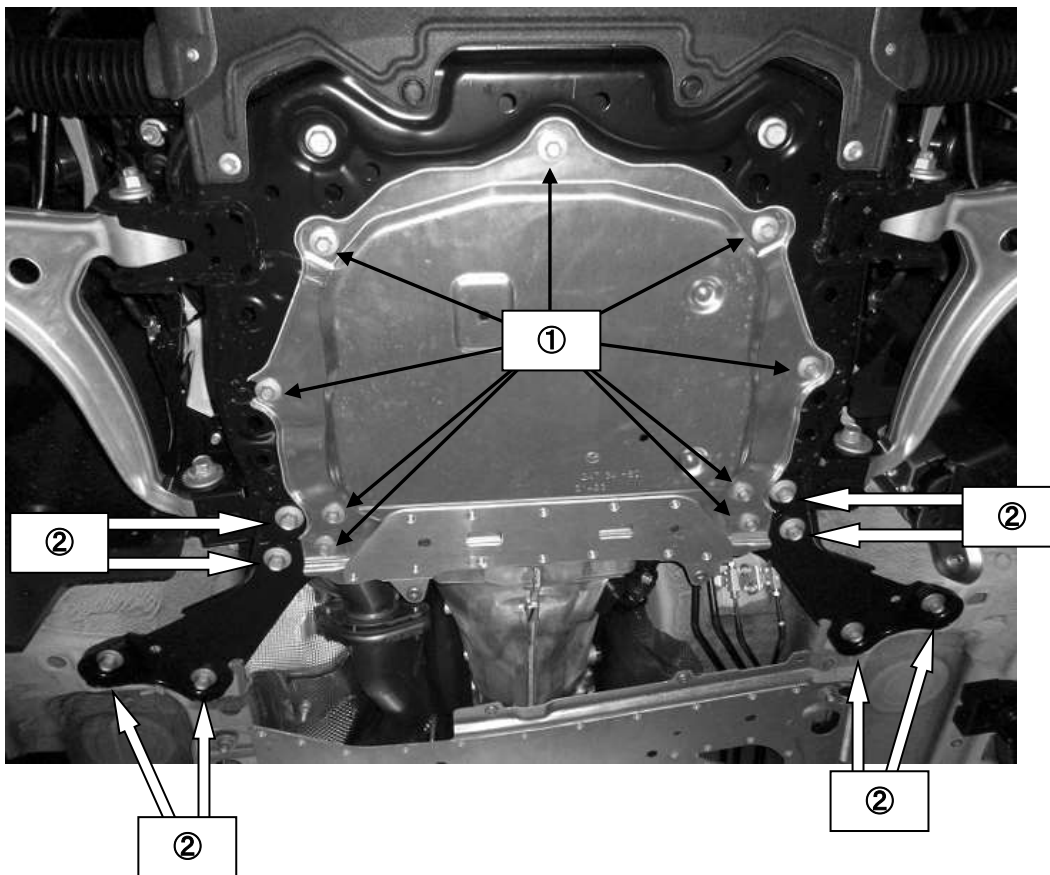
## - Installation -

【 Part # 】 : 429 492 F  
【 Make: Model 】 : Mazda : ND5RC [ Miata MX-5 ]  
【 Description 】 : Power Brace  
【 Position 】 : Front  
【 Part List 】 : M6 × 15Bolts .....2

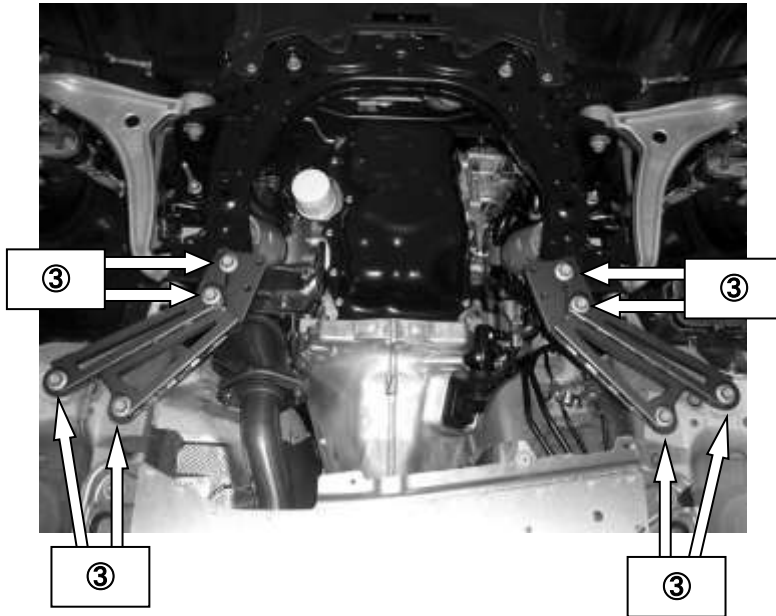
Caution : Approximate installation time : 42 minutes (Completion time is vary)

### 【Installation】

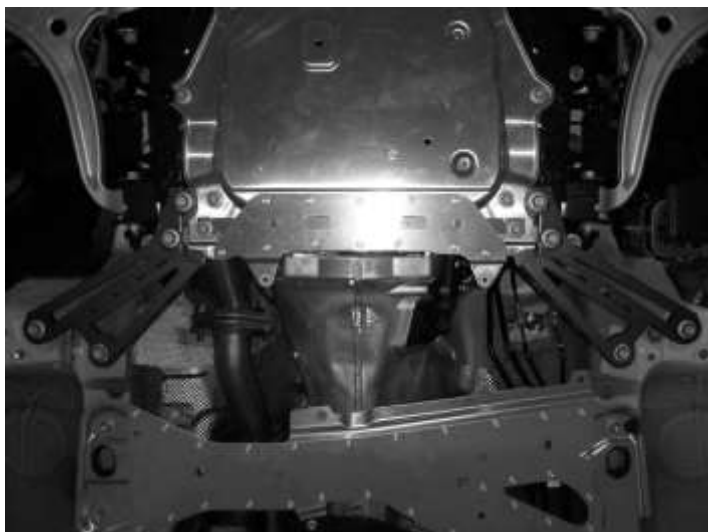
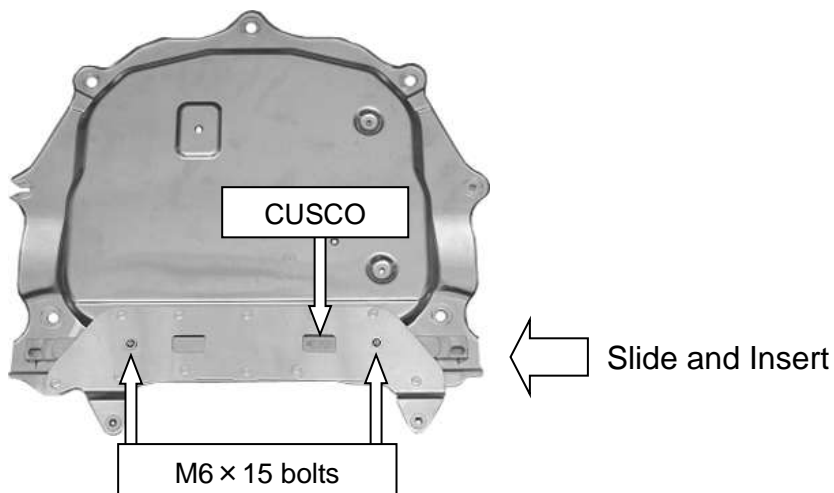
- ① Remove the Aluminum under panel and bolts.
- ② Remove both Left and Right brackets. (shown in #2)  
(Keep the removed brackets, you will not re-use them.)



- ③ Re-use the OEM bolts from step #2 to secure both Left and Right Power Braces but do not tight yet.



- ④ Slide and insert CUSCO Power Brace to the OEM Aluminum under panel.  
Use supplied M16 × 15bolts bolts to securely install.
- ⑤ Re-use the bolts from the step #1 to install Aluminum under panel then torque them according to the manufacture spec.



PERIODICALLU RE-TORQUE ALL BOLTS AND NUTS.